

INLGT04KIRWF

8.1 MP AI Vandal Proof Fixed Lens Turret Network Camera with IR, IN/OUT, 2.8mm

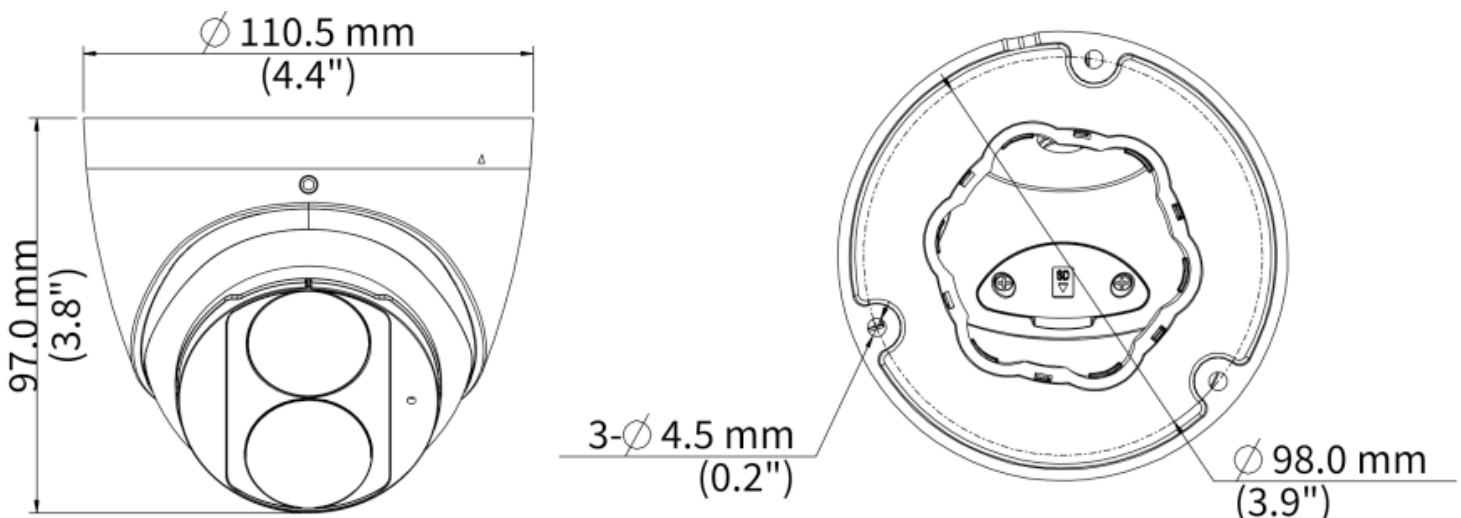
- Lite ChromaView: 24/7 Full Colour Imaging
- High quality image with 8MP, 1/2.8" CMOS sensor
- 120dB True WDR technology
- H.265+ & H.264 encoding
- Intelligent People Flow Counting and Crowd Density Monitoring
- Built-in Microphone
- Smart IR, up to 30m (98.4ft) IR distance
- Supports Micro SD card up to 512GB



Legend: Smarter, Stronger, Fully NDAA Compliant

The **INLGT04KIRWF** is an 8.1MP AI turret camera featuring a 1/2.8" CMOS sensor, Lite ChromaView 24/7 full-color imaging, and 120dB True WDR for exceptional clarity in any lighting condition. It includes a built-in microphone, Smart IR up to 30m, and supports MicroSD storage up to 512GB, delivering a durable, NDAA-compliant solution for professional surveillance.

Dimensions



*Design and specifications are subject to change without notice.

Camera					
Image Sensor	1/2.7", 8.0 megapixel , CMOS				
Minimum Illumination	Colour: 0.0025 Lux (F1.6, AGC ON), 0 Lux with IR on				
Day/Night	IR-cut filter with auto switch (ICR)				
Electronic Speed Shutter	Auto/Manual, 1 ~ 1/100000s				
Pan/Tilt/Rotate	Pan: 0° ~ 360°	Tilt: 0° ~ 80°	Rotate: 0° ~ 360°		
WDR	120 dB				
S/N Ratio	More than 52 dB				
Illumination					
IR Range	Up to 30m/98.4ft				
Wavelength	850nm				
IR On & Off Control	Auto/Manual				
Lens					
Focal Length	2.8mm				
Iris	F1.6				
Lens Type	Fixed				
Viewing Angle (H, V, D)	H : 112.4°	V : 60.1°	D : 146.1°		
DORI					
DORI Distance	Lens (mm)	Detect	Observe	Recognize	Identify
	2.8	84.0 m /275.6 ft	33.6 m /110.2 ft	16.8 m /55.1 ft	8.4 m /27.6 ft
Video					
Compression	H.265+ / H.265 / H.264 / MJPEG				
H.264 code profile	Baseline profile, Main profile, High profile				
Frame Rate	<p>Main Stream: 8 MP (3840 × 2160), max. 20 fps; 5 MP (3072 × 1728), max. 30 fps; 4 MP (2560 × 1440), max. 30 fps; 1080P (1920 × 1080), max. 30 fps</p> <p>Sub Stream: 1080P (1920 × 1080), max. 30 fps; 720P (1280 × 720), max. 30 fps; D1 (720 × 576), max. 30 fps; 640 × 360, max. 30 fps; 2CIF (704 × 288), max. 30 fps; CIF (352 × 288), max. 30 fps</p> <p>Third Stream: D1 (720 × 576), max. 30 fps; 640 × 360, max. 30 fps; 2CIF (704 × 288), max. 30 fps; CIF (352 × 288), max. 30 fps</p>				
Video Bit Rate	128 Kbps~16 Mbps				
On-Screen Display (OSD)	Up to 8 OSDs				
Privacy Mask	4 areas				
Region of Interest	Supported				
Video Stream	Triple				
U-code	Supported				

*Design and specifications are subject to change without notice.

Image	
White Balance	Auto / Outdoor / Fine Tune / Sodium Lamp / Locked / Auto2
Digital Noise Reduction	2D/3D DNR
Flip	Normal / Vertical / Horizontal / 180° / 90° Clockwise / 90° Counterclockwise
Image Features	Smart IR, Highlight Compensation, Backlight Compensation, Digital Defog
Intelligence	
People Counting	Support people flow counting and crowd density monitoring
Smart Intrusion Prevention	Cross line detection, intrusion detection, enter area detection, leave area detection (support false alarm filtering and the classification of human, non-motor vehicle and vehicle)
Events	
Basic Detection	Motion detection, Ultra motion detection, Tampering alarm, Audio detection
General Function	Watermark, IP address filtering, Access policy, ARP protection, RTSP authentication, User authentication, HTTP authentication
Audio	
Audio Compression	G.711U, G.711A
Audio Bit Rate	64 Kbps
Sampling Rate	8KHZ
Audio Features	Suppression
Storage	
Edge Storage	Micro SD, up to 512GB
Network Storage	ANR, NAS (NFS)
Interface	
Ethernet	1*RJ45 10M/100M Base-TX Ethernet
Features	Built-in Microphone
Network	
Protocols	IPv4, IPv6, IGMP, ICMP, ARP, TCP, UDP, DHCP, PPPoE, RTP, RTSP, RTCP, RTMP, DNS, DDNS, NTP, FTP, UPnP, HTTP, HTTPS, SMTP, 802.1x, SNMP, QoS, SSL/TLS, SSH
Compatibility	ONVIF (Profile S, Profile G, Profile T, Profile M), API, SDK
User/Host	Up to 32 users with 3 users levels: administratir, common user and operator
Security	Password Protection, Strong Password, HTTPS Encryption, Export Operation Logs, Basic and Digest Authentication for RTSP, Digest Authentication for HTTP, TLS 1.2, WSSE and Digest Authentication for ONVIF
Management Software	LEGEND VMS, ARKIV
Web Browser	Plug-in required live view: IE 10+, Chrome 45+, Firefox 52+, Edge 79+ Plug-in free live view: Chrome 57+, Firefox 58+, Edge 16+
Certifications	
EMC	CE-EMC (EN 55032, EN 61000-3-3, EN IEC 61000-3-2, EN 55035) FCC (FCC 47 CFR part15 B)

*Design and specifications are subject to change without notice.

Safety	CE LVD (EN 62368-1) CB (IEC 62368-1) UL/CUL (UL 62368-1, CAN/CSA C22.2 No. 62368-1)
Environment	CE-RoHS (2011/65/EU;(EU)2015/863); WEEE (2012/19/EU)
Protection	IP67 (IEC 60529), IK10 (IEC 62262), 4KV (Surge Protection)
General	
Power	DC 12V±25%, PoE (IEEE 802.3af)
Power Consumption	Less than 6.0W
Power Interface	Ø 5.5mm coaxial power plug
Dimensions (Ø x H)	Ø111 mm × 95 mm / Ø4.4" × 3.7"
Weight	0.41 kg / 0.90 lb
Material	Metal
Working Environment	-30 °C to 60 °C (-22 °F to 140 °F), Humidity: ≤ 95% RH (non-condensing)
Reset Button	Supported

*Design and specifications are subject to change without notice.

Accessories



XLGJB03-G
Junction Box



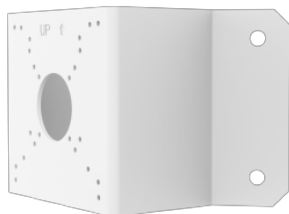
XLGUM06-D
Indoor Incline Mount



XLGUP06-C-V2
Pole Mount



XLGA01
Plastic Waterproof
Joint



XLGUC08-C-V2
Corner Mount



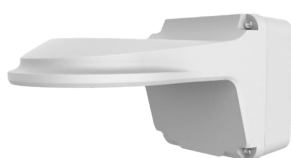
XLGSE24
Pendant Pole 8 inch



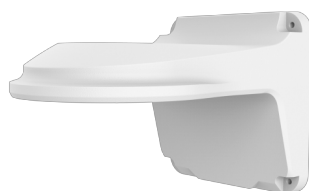
XLGSE24-A
Pendant Pole 20 inch



XLGCM24
Pendant Ceiling Mount



XLGJB07WM03-G-V2
Wall Mount and
Junction Box



XLWM03-D
Wall Mount

*Design and specifications are subject to change without notice.